

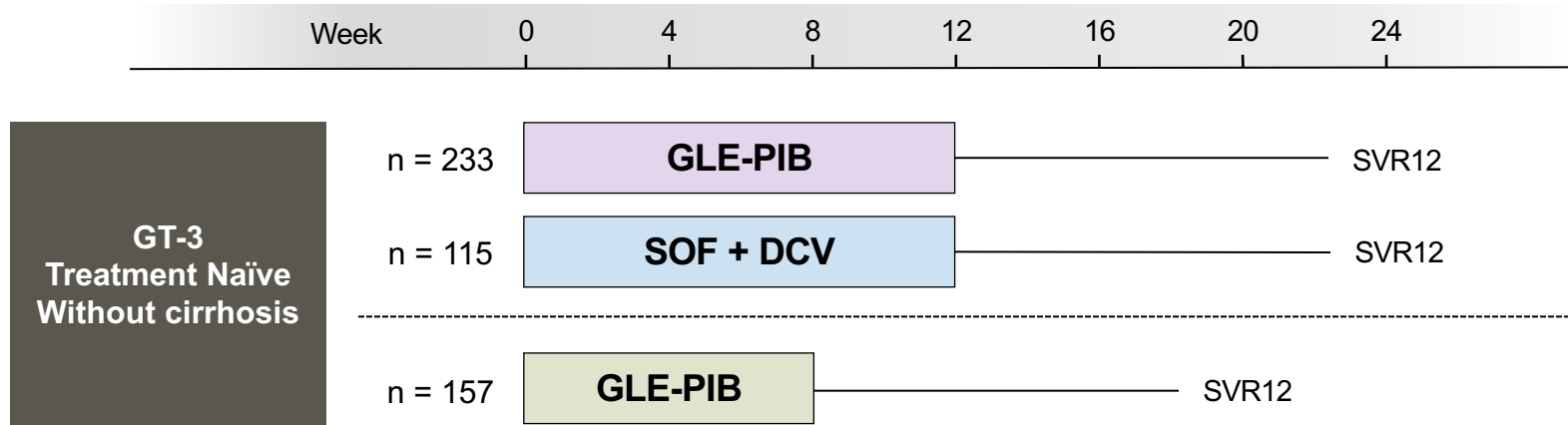
# Glecaprevir-Pibrentasvir in Treatment-Naïve, GT 3 without Cirrhosis ENDURANCE-3

# Glecaprevir-Pibrentasvir in Treatment-Naïve, Non-Cirrhotic GT 3

## ENDURANCE-3: Study Features

- **Design:** Randomized, phase 3 trial to evaluate the safety and efficacy of the fixed-dose combination of glecaprevir-pibrentasvir for 8 or 12 weeks compared with 12 weeks of sofosbuvir and daclatasvir in treatment-naïve adults with GT 3 chronic HCV infection without cirrhosis
- **Key Eligibility Criteria**
  - Chronic HCV GT 3
  - Age  $\geq 18$  years
  - HCV RNA  $\geq 1,000$  IU/mL at screening
  - Treatment-naïve
  - No cirrhosis (METAVIR score  $\leq 3$  or equivalent)
  - HIV or chronic HBV coinfection excluded
- **Primary End Point:** SVR12

# Glecaprevir-Pibrentasvir in Treatment-Naïve Non-Cirrhotic GT 3 ENDURANCE-3: Study Design



348 patients were randomized in 2:1 ratio to 12 weeks of GLE-PIB vs SOF + DCV.  
157 were not randomized but assigned to 8 weeks of GLE-PIB.

**Abbreviations:** GLE-PIB = glecaprevir-pibrentasvir; SOF = sofosbuvir; DCV = daclatasvir

**Drug Dosing:** Glecaprevir-pibrentasvir 300/120 mg once daily *or* Sofosbuvir 400 mg once daily plus Daclatasvir 60 mg once daily

# Glecaprevir-Pibrentasvir in Treatment-Naïve Non-Cirrhotic GT 3

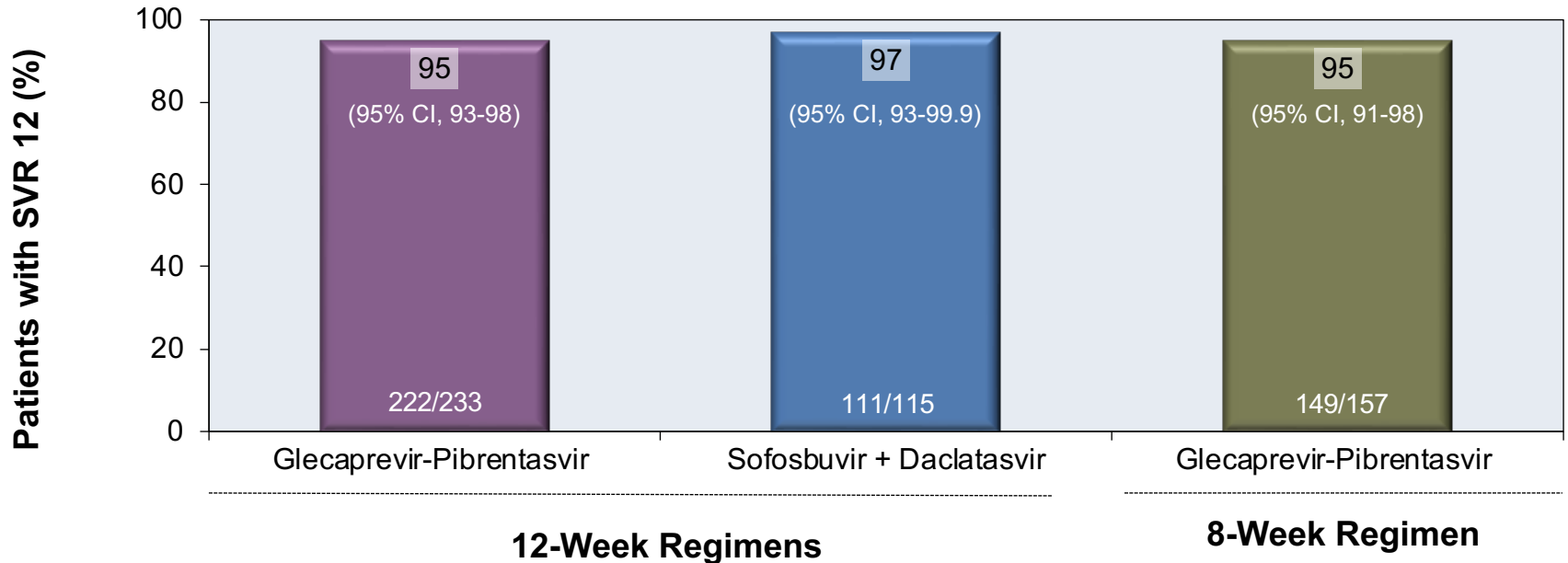
## ENDURANCE-3: Baseline Characteristics

Characteristics	2:1 randomization		Non-randomized
	eGLE-PIB 12 wk (n = 233)	SOF + DCV 12 wk (n = 115)	GLE-PIB 8 wk (n = 157)
Median age, (range) years	48 (22-71)	49 (20-70)	47 (20-76)
Male sex, n (%)	121 (52)	52 (45)	92 (59)
Black race, n (%)	4 (2)	4 (3)	3 (2)
History of injection drug use, n (%)	149 (64)	73 (63)	104 (66)
BMI, median kg/m <sup>2</sup> (range)	25 (17-49)	25 (18-42)	26 (18-44)
Median HCV RNA (range), log <sub>10</sub> IU/ml	6.1 (3.5-7.5)	6.0 (3.8-7.4)	6.1 (1.2-7.6)
Fibrosis stage, n (%)			
F0 or F1	201/233 (86)	97/115 (84)	122/157 (78)
F2	12/233 (5)	8/115 (7)	8/157 (5)
F3	20/233 (9)	10/115 (9)	27/157 (17)
HCV subtype 3a, n (%)	217 (93)	110 (96)	151 (96)

**Abbreviations:** GLE-PIB = glecaprevir-pibrentasvir; SOF = sofosbuvir; DCV = daclatasvir; BMI = body mass index

# Glecaprevir-Pibrentasvir in Treatment-Naïve Non-Cirrhotic GT 3 ENDURANCE-3 Study: Results

ENDURANCE-3: SVR 12 by Treatment Duration and Regimen (ITT Analysis)



GLE-PIB = glecaprevir-pibrentasvir; SOF = sofosbuvir; DCV = daclatasvir; ITT = Intent-to-treat

# Glecaprevir-Pibrentasvir in Treatment-Naïve Non-Cirrhotic GT 3

## ENDURANCE-3: Treatment Outcomes

Outcomes, n (%)	2:1 randomization		Non-randomized
	GLE-PIB x 12 weeks (n = 233)	SOF + DCV x 12 weeks (n = 115)	GLE-PIB x 8 weeks (n = 157)
SVR12	222 (95)	111 (97)	149 (95)
Virologic Failure			
Breakthrough	1 (<1)	0	1 (1)
Relapse	3 (1)	1 (1)	5 (3)
Failure due to other reasons			
Discontinuation due to AE	1 (<1)	1 (1)	0
Withdrawal of consent	1 (<1)	0	0
Non-compliance	1 (<1)	0	0
Lost to follow-up / missing SVR12	4 (2)	2 (2)	2 (1)

**Abbreviations:** SVR = Sustained virologic response; GLE-PIB = glecaprevir-pibrentasvir; SOF = sofosbuvir; DCV = daclatasvir

# Glecaprevir-Pibrentasvir in Treatment-Naïve Non-Cirrhotic GT 3 ENDURANCE-3: Resistance Analysis

SVR12 by Baseline Polymorphism, n (%)	2:1 randomization		Non-randomized
	GLE-PIB x 12 weeks	SOF + DCV x 12 weeks	GLE-PIB x 8 weeks
NS3 only	26/26 (100)	--	14/15 (93)
NS5A only	35/36 (97)	20/21 (95)	34/36 (94)
NS3 + NS5A	6/7 (86)	--	5/7 (71)
None	151/153 (99)	89/89 (100)	94/95 (99)

\*Detected at 15% threshold by next-generation sequencing in samples that had sequences available at a key subset of amino acid positions: NS3 at positions 36, 55, 56, 80, 155, 156, 166, 168; NS5A at positions 24, 28, 29, 30, 31, 32, 58, 92, 93

**Abbreviations:** GLE-PIB = glecaprevir-pibrentasvir; SOF = sofosbuvir; DCV = daclatasvir

# Glecaprevir-Pibrentasvir in Treatment-Naïve Non-Cirrhotic GT 3

## ENDURANCE-3: Adverse Events

Adverse Event (AE), n (%)	Randomized		Non-randomized
	GLE-PIB x 12 weeks (n = 233)	SOF + DCV x 12 weeks (n = 115)	GLE-PIB x 8 weeks (n = 157)
Any adverse event	177 (76)	80 (70)	98 (62)
AE possibly drug-related	112 (48)	50 (43)	63 (40)
Serious adverse event	5 (2)	2 (2)	3 (2)
AE leading to drug discontinuation	3 (1)	1 (1)	0
AE occurring in ≥10% patients			
Headache	60 (26)	23 (20)	31 (20)
Fatigue	44 (19)	16 (14)	20 (13)
Nausea	32 (14)	15 (13)	19 (12)
Laboratory abnormalities			
Grade ≥3 ALT (>5x ULN)	0	1 (1)	0
Grade ≥3 total bilirubin (>3x ULN)	0	0	1 (1)
Grade ≥3 neutrophil count (< 1 x 10 <sup>9</sup> /L)	1 (<1)	0	0



# Glecaprevir-Pibrentasvir for 8 or 12 weeks in Non-Cirrhotic GT 1

## \*ENDURANCE-3: Conclusions

**Conclusion:** “Once-daily treatment with glecaprevir–pibrentasvir for either 8 weeks or 12 weeks achieved high rates of sustained virologic response among patients with HCV genotype 1 or 3 infection who did not have cirrhosis.”

**\*Note:** ENDURANCE-3 was published in conjunction with ENDURANCE-1

# Acknowledgments

**Hepatitis C Online** is funded by a cooperative agreement from the Centers for Disease Control and Prevention (CDC-RFA- PS21-2105). This project is led by the University of Washington Infectious Diseases Education and Assessment (IDEA) Program.



*The contents in this presentation are those of the author(s) and do not necessarily represent the official position of views of, nor an endorsement, by the Centers for Disease Control and Prevention.*